

M12 male 90° shielded with cable

PUR 5x0.34 shielded gy 0,6m

Male 90°

M12, 5-pole

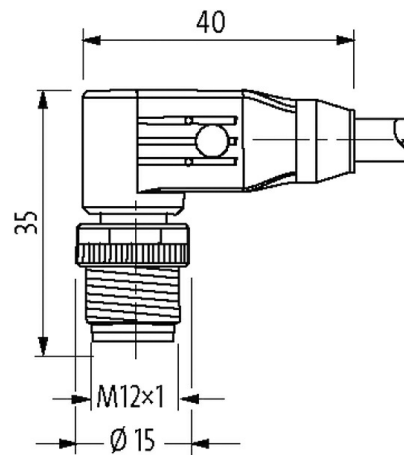
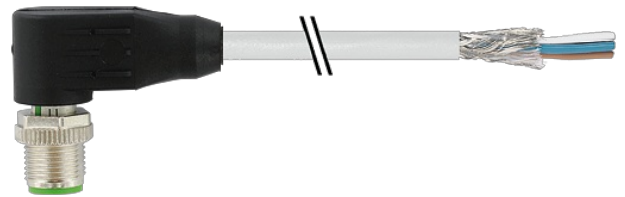
shielded

A-coded

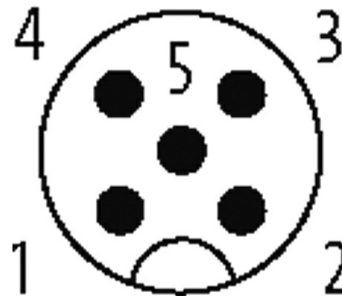
Plastic housings with good resistance against chemicals and oils.

The resistance to aggressive media should be individually tested for your application. Further details on request.

Further cable lengths on request.

Illustration

Male



Product may differ from Image

Approvals



* only for products with UL/CSA approved cable

cCSAus

EAC

Form

Form 13161

Cables

| | |
|----------------------------|----------------------------|
| Cable number | 349 |
| No./diameter of wires | 5 × 0.34 mm ² |
| Wire isolation | PVC (br, wh, bl, bk, gnye) |
| C-track properties | 0.1 Mio. |
| Jacket Color | gray |
| Material (jacket) | PUR/PVC |
| Outer Ø | 5.9 mm ±5% |
| Bend radius (fixed) | 10 × outer Ø |
| Bend radius (moving) | 15 × outer Ø |
| Temperature range (fixed) | -40...+80 °C |
| Temperature range (mobile) | -5...+70 °C |
| Shield | yes |
| Color (jacket) | gray |
| Approval (cable) | CE conform |

Technical Data

| | |
|------------------------------------|--|
| Operating voltage | max. 60 V AC/DC |
| Operating voltage (only UL listed) | max. 30 V AC/DC |
| Operating current per contact | max. 4 A |
| Rated surge voltage | 1.5 kV |
| Material group | IEC 60664-1, category I |
| Coding | A-coded |
| Locking of ports | Screw thread (M12×1 mm) recommended torque 0.6 Nm, self-securing |
| Compression gland | M12 (SW13) |
| Protection | IP65, IP66K, IP67 inserted and tightened (EN 60529) |
| Locking material | Zinc die casting, matte nickel plated |
| Material | PUR |

General data

| | |
|----------------------------|--|
| Standards | DIN EN 61076-2-101 (M12) |
| Material (contact) | Copper alloy |
| Material (contact surface) | Au |
| Pollution Degree | 3 |
| Temperature range | -25...+85 °C, depending on cable quality |

Commercial data

| | |
|-----------------------|---------------|
| country of origin | CZ |
| customs tariff number | 85444290 |
| EAN | 4048879620888 |
| eClass | 27279218 |
| Packaging unit | 1 |